

Terabit™

Industrial 1.8" SATAIII 6.0Gbp.s Solid State Drive Data Sheet

Terabit Technology

Revision History

Version	Date	Changes	Note
V001	2015-06-28	Release	3 rd Generation

Terabit Technology

Contents

1. Product Features.....	4
2. Overview.....	5
3. Interface.....	5
4. Physical Dimension.....	6
5. PIN Description.....	7
5.1 PIN Location.....	7
5.2 Signal Description.....	7
6. Power Consumption.....	8
7. Product Reliability.....	8
7.1. Wear Leveling.....	9
7.2 ECC.....	9
7.3 MTBF.....	9
7.4 Bad-block Management.....	9
7.5 S.M.A.R.T Function.....	9
7.6 TRIM Function.....	9
8. Performance.....	10
9. Cache.....	10
10. Thermal Sensor.....	10
11. Certifications.....	11
12. Ordering Information.....	12
13. Contact Information.....	12

1. Product Features

Interface	7PIN+15PIN
Form Factor	1.8" SATAIII 6.0GBps
Dimension	70.0 x 60.0 x 7.0 ±0.2(mm)
Capacity	NAND MLC: 8~256GB NAND SLC: 4~128GB
Performance	Read up to 520MB/s Write up to 451MB/s
Power Supply	D/C 5.0V± 5%
Operating Temperature	Standard: 0~+70°C Industrial: -20~+70°C Extended: -40~+85°C
Weight	<42g
Storage Temperature	-55~+95°C
Shock	Non-operating 1500G peak, 0.5ms Operating 50G peak, 11ms
Vibration	Jet (Random) Vibration, 10-2000Hz, 16.4G(X, Y, Z)
Burn-in Test	72 Hours
Falling Test	1.1 meter free falling
Max. Power Consumption	Sequential Reading 1.25W Sequential Writing 1.82W Idle 0.33W
MTBF	2,000,000 Hours
Features	<ul style="list-style-type: none"> - Enhanced endurance by dynamic/static wear-leveling - Support dynamic power management - Support S.M.A.R.T function - Automatic Bad-block Management - Support TRIM and NCQ (Native Command Queuing) Command - Support BCH ECC 66bits/1024bytes
Data Retention	@25°C : 10 years
Certification	CE/FCC/RoHS

2. Overview

Terabit 1.8" SATAIII SSD fully consists of semiconductor devices using original NAND Flash and Industrial Controller which provide high reliability and high performance for data storage. Terabit 1.8" SATAIII SSD has standard 22PIN interfaces, fully conform to the same mechanical and mounting requirements as standard rotating disk drives. This series of products are designed for premium industrial applications that require both strong reliability and high performance such as Industrial Computer, Rugged Computer, Industrial Systems, Industrial Server, Embedded Systems, Workstations, RAID and Defense. With up to 256GB capacity, Terabit 1.8" SATAIII SSD totally goes through a variety of proofing tests such as Shock Test, Vibration Test, Burn-in Test, and Twisting Test. Well proved under -40~+85°C wide temperature and equipped with Power Failure Protect and Over Load Protect, this series of products can work smoothly under severe environments.

3. Interface

Terabit 1.8" SATAIII Solid State Drive complies SATA3.0 Standard.

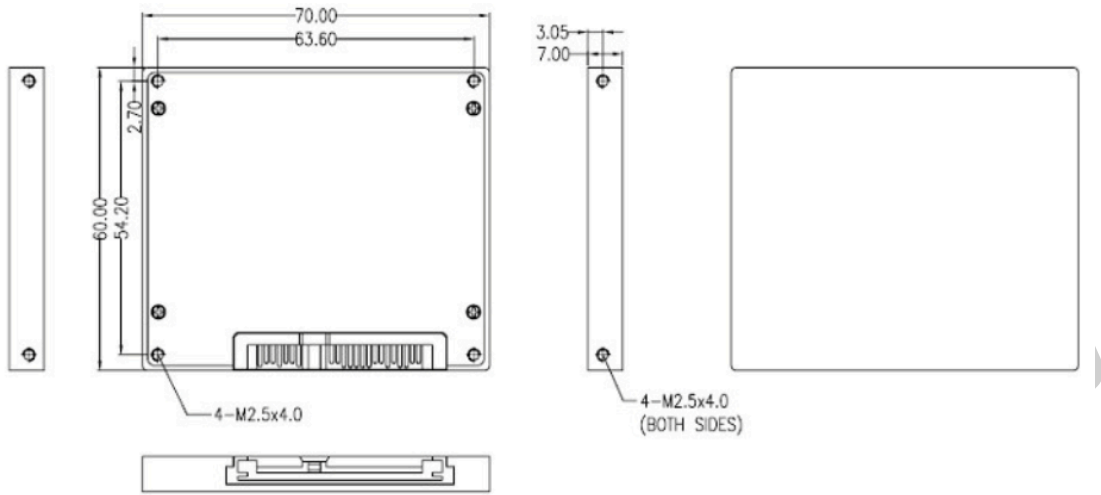
Support Transfer Mode:

PIO:0, 1, 2, 3, 4

MW-DMA: 0, 1, 2

UDMA: 0, 1, 2, 3, 4, 5

4. Physical Dimension

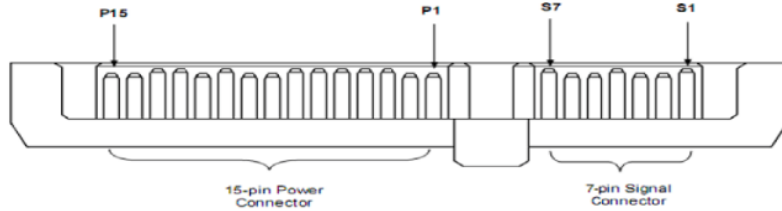


Parameter	Value	Unit
Length	70.0	mm
Width	60.0	mm
Height	7.0	mm

- All of the values are $\pm 0.1\text{mm}$

5. PIN Description

5.1 PIN Location



5.2 Signal Description

PIN#	PIN Name	PIN Definition
Signal		
S1	GND	2 nd mate
S2	A+	Differential signal pair A From physical layer electronics
S3	A1	
S4	GND	2 nd mate
S5	B-	Differential signal pair B From physical layer electronics
S6	B+	
S7	GND	2 nd mate
Power		
P1	V33	3.3V power (unused)
P2	V33	3.3V power (unused)
P3	V33	3.3V power (unused)
P4	GND	1 st mate
P5	GND	2 nd mate
P6	GND	2 nd mate
P7	V5	5V power, pre-charge, 2 nd mate
P8	V5	5V power
P9	V5	5V power
P10	GND	2 nd mate
P11	DAS/DSS	NC
P12	GND	2 nd mate
P13	V12	12V power (unused)
P14	V12	12V power (unused)
P15	V12	12V power (unused)

6. Power Consumption

Capacity	Idle	Read	Write	Unit
04GB	0.25	0.85	1.30	W
08GB	0.25	0.90	1.35	W
16GB	0.27	0.95	1.42	W
32GB	0.27	1.02	1.52	W
64GB	0.27	1.15	1.68	W
128GB	0.28	1.20	1.75	W
256GB	0.33	1.25	1.82	W

7. Product Reliability

NAND MLC Flash:

Capacity	Endurance Total Bytes Written	Data Retention	MTBF	Warranty
04GB	Up to 8TB	@25°C >10 Years	2 Million Hours	3 Years Limited
08GB	Up to 16TB			
16GB	Up to 33TB			
32GB	Up to 65TB			
64GB	Up to 130TB			
128GB	Up to 260TB			
256GB	Up to 520TB			

NAND SLC Flash:

Capacity	Endurance Total Bytes Written	Data Retention	MTBF	Warranty
04GB	Up to 225TB	@25°C >10 Years	2 Million Hours	5 Years Limited
08GB	Up to 450TB			
16GB	Up to 900TB			
32GB	Up to 1800TB			
64GB	Up to 3600TB			
128GB	Up to 7200TB			

*Total Bytes Written= 【(Flash P/E cycle) x (number of bits in drive)】 /WAI
WAI=1.428704724

7.1 Wear-Leveling

Terabit 1.8" SATAIII SSD support both static and dynamic wear-leveling technology. These two algorithms guarantee each block of flash memory at same level of erase cycles to improve lifetime limitation of NAND based storage.

7.2 ECC

ECC (Error Correction Code): Enhanced configurable BCH ECC engine. Terabit 1.8" SATAIII SSD implements the BCH ECC Algorithm, which is one of the most powerful ECC algorithms in the industry. This algorithm can correct up to 12 random bit errors in each 512 bytes.

7.3 MTBF

Mean time between failures (MTBFs) for the SSD can be predicted based on the component reliability data using the methods referenced in the Telcordia SR-332 reliability prediction procedures for electronic equipment, the prediction result for this SSD is more than 2,000,000 hours.

7.4 Bad-block Management

Terabit implements an efficient bad block management algorithm into the solid state drive to detect factory produced bad blocks as well as those that develop over the lifetime of the device. This process is completely transparent to the user through the use of S.M.A.R.T. command tools, i.e., the user will not be aware of the existence of the bad blocks during operation.

7.5 S.M.A.R.T Function

S.M.A.R.T stands for Self-Monitoring, Analysis and Reporting Technology. This technology enables the PC to predict the future failure of hard disk drives. Through the S.M.A.R.T. system, Terabit 1.8" SATAIII SSD incorporates a suite of advanced diagnostics that monitor the internal operation of the drive and provide an early warning for many types of potential problems. When a potential problem is detected, the SSD can be repaired or replaced before any data is lost or damaged.

7.6 TRIM Function

Terabit Solid State Drive equips built-in TRIM function, it helps collect and clean data garbage when the system in an idle situation, which keeps the system in a high performance status even after long-term using.

8. Performance

Capacity	Sequential Read	Sequential Write	IOPS Read	IOPS Write
04GB	186MB/s	92MB/s	26000	13100
08GB	219MB/s	135MB/s	26700	13600
16GB	358MB/s	196MB/s	26800	14000
32GB	390MB/s	255MB/s	27300	14500
64GB	442MB/s	362MB/s	28000	15000
128GB	480MB/s	404MB/s	28500	15200
256GB	520MB/s	451MB/s	28700	16000

9. Cache

Cache	DDR2	DDR3	Capacity
Support	/	Yes	N/A

10. Thermal Sensor

Temperature Sensor	Yes	No
	Support	/

11. Certifications



EN 55022:2010

EN: 55024:2010

EN 61000-3-2:2013

EN 61000-3-3:2014

47 CFR, Part2, Part15, CISPR PUB.22

With reference to RoHS Directive 2011/65/EU recasting 2002/95/EC

Terabit Technology

12. Ordering information

Series	*Model Name	Capacity	Flash	Case
1.8" SATAIII SSD	T18S3XTMLC-008G	08GB	NAND MLC	7mm
	T18S3XTMLC-016G	16GB	NAND MLC	7mm
	T18S3XTMLC-032G	32GB	NAND MLC	7mm
	T18S3XTMLC-064G	64GB	NAND MLC	7mm
	T18S3XTMLC-128G	128GB	NAND MLC	7mm
	T18S3XTMLC-256G	256GB	NAND MLC	7mm

Series	Model Name	Capacity	Flash	Case
1.8" SATAIII SSD	T18S3XTSLC-004G	04GB	NAND SLC	7mm
	T18S3XTSLC-008G	08GB	NAND SLC	7mm
	T18S3XTSLC-016G	16GB	NAND SLC	7mm
	T18S3XTSLC-032G	32GB	NAND SLC	7mm
	T18S3XTSLC-064G	64GB	NAND SLC	7mm
	T18S3XTSLC-128G	128GB	NAND SLC	7mm

*XT refers to temperature range, ST refers to standard temperature, CT refers to industrial temperature, KT refers to extended temperature.

13. Contact Information

Shanghai Terabit Technology Co., Ltd

Telephone: +86.21.34303488

Fax: +86.21.34303488

Email: sales@terabitsys.com

Website: www.terabitsys.com

Address: #513, No.38 Building, Wanke VMO, No. 2049 Pujin Road, Pujiang Town, Minhang District, Shanghai, 201112, P.R. China